



FORCE-PRO-S 2.0

USER MANUAL



FORCE-PRO-S 2.0 PRESENTATION

The SPYPOINT FORCE-PRO-S 2.0 features a solar panel charging an internal lithium battery that keeps this camera powered for months on end. The FORCE-PRO-S 2.0 records up to 4K video with sound, perfect for seeing even the smallest details in every video. It is equipped with a full-color LCD photo and video viewing screen that not only enables easy set-up and adjustment of settings, but it also allows you to review and manage captured content directly from your camera.

This camera offers the longest detection range of any SPYPOINT camera and our fastest trigger speed at less than a quarter of a second, meaning it misses fewer targets than cameras with a shorter detection range and trigger speed closer to a full second. To catch even more detail, the FORCE-PRO offers the multi-shot function which takes up to six photos per detection. 54 LED lights provide 90' of illumination and infrared boost technology allows you to maximize lighting when it counts, so you get high-quality photo or video no matter what time of day (or night) it is captured.

ABOUT US

SPYPOINT's mission is to offer you products that are easy to use, innovative, affordable, and of exceptional quality. Our products are mainly used in the hunting field and residential and commercial safety fields. They are distributed and appreciated on all continents and are continuously growing. Prosperous and respected, SPYPOINT is a company that is constantly developing new technologies and that remains attentive to its customer's needs to offer cutting-edge products with concrete solutions to improve hunting and outdoor activities.

THANK YOU FOR CHOOSING A SPYPOINT PRODUCT

This User Manual will introduce you to the features of your new FORCE-PRO-S 2.0 and will guide you through the acquisition of its functionalities so that you can use it to its full potential.

Our priority is to offer outstanding service to our customers. If you need technical support for your camera, here is how to contact us:

Contact our chat service directly on the SPYPOINT site (in the lower right-hand corner of the Support section, by clicking on the "Start Chat" window, www.spypoint.com).

- Monday to Friday — **8:30 a.m. to 8:00 p.m.**
- Saturday-Sunday — **8:30 a.m. to 5:30 p.m.**

Go to www.spypoint.com/en/support for more information about our devices.

JOIN THE SPYPOINT COMMUNITY






-  www.facebook.com/SPYPOINT
-  www.twitter.com/SPYPOINTcamera
-  www.youtube.com/SPYPOINTtrailcam
-  www.instagram.com/spypointcamera
-  www.tiktok.com/@spypointcamera

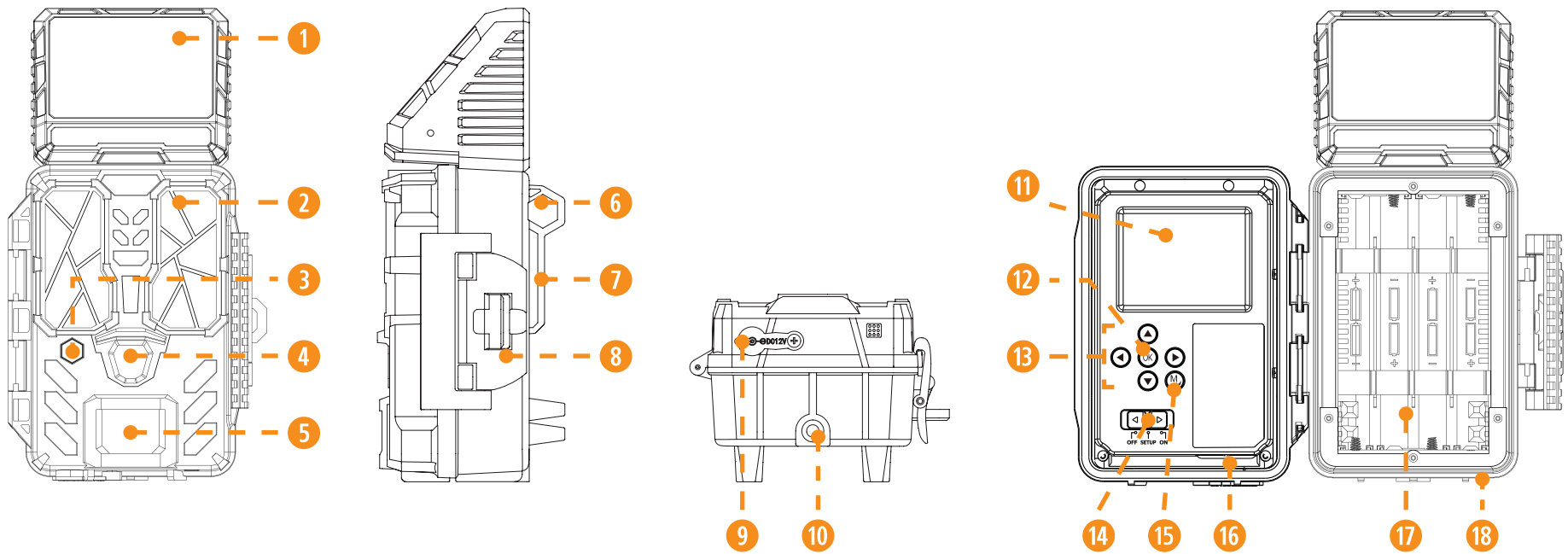
TABLE OF CONTENT



Components	4
Features	6
Power	7
Memory Card	8
Setup	10
Installation and Updates	15
Transferring Files to a Computer	16
Offered Accessories	17
Troubleshooting	18
Warranty	22
Regulation	23
Disposal	24

COMPONENTS

SPYPOINT | FORCE-PRO-S 2.0



- 1 Solar panel
- 2 No glow flash
- 3 Red LED indicator
- 4 Photo lens
- 5 Detection lens
- 6 Cable lock hole

- 7 Slot for installation strap
- 8 Lockable door latch
- 9 12 V jack
- 10 Screw-thread for standard ¼"-20
- 11 LCD screen
- 12 OK button

- 13 Navigation buttons
- 14 Switch ON/SETUP/OFF
- 15 Menu Button
- 16 SD card slot
- 17 Battery compartment
- 18 Door

- 1 SOLAR PANEL**
Solar energy sensor for charging the internal lithium battery.
- 2 NO GLOW FLASH**
Night lighting to obtain black-and-white photos and videos.
- RED LED INDICATOR**
When the button is in the SETUP position and you're done adjusting your settings, the red light at the front of the camera will flash to confirm a motion detection. When moved to the ON position, the red light will flash for 30 seconds to allow the user to walk away without being photographed.
- 3**
- 4 PHOTO LENS**
Image sensor.
- 5 DETECTION LENS**
Enlarges the detection area of the camera's motion sensor.
- 6 CABLE LOCK HOLE**
Allows you to install a #CLM-6FT padlock cable to secure the unit (sold separately).
- 7 SLOT FOR INSTALLATION STRAP**
Allows the camera to be installed using the included installation strap.
- 8 LOCKABLE DOOR LATCH**
Allows you to lock and open the door of the camera.
- 9 12 V JACK**
Allows you to insert a power cord connected to an external 12V source.
- 10 SCREW-THREAD FOR STANDARD ¼"-20**
Allows you to attach a standard tripod from ¼"-20.
- 11 LCD SCREEN**
Allows the user to access the camera's settings menu and view photos.
- 12 OK BUTTON**
Allows the user to confirm a selection.
- 13 NAVIGATION BUTTONS**
Buttons to navigate the camera's menus and set the camera.
- 14 SWITCH ON/SETUP/OFF**
Allows the user to turn the camera ON and OFF, as well as access the configuration menu.
- 15 MENU BUTTON**
Allows the user to access the camera's settings menu.
- 16 SD CARD SLOT**
Space to insert the SD card needed to save photos and videos.
- 17 BATTERY COMPARTMENT**
Space to insert 8 AA batteries.
- 18 DOOR**
Provides access to the battery compartment, ON/SETUP/OFF switch, navigation buttons, configuration screen and SD card slot.

FEATURES

PHOTO RECORDING

Photo resolution	2, 8, 16, 30, 48 MP
Photo file format	JPG
Time-lapse mode	1 min, 2 min, 3 min, 4 min, 5 min, 10 min, 30 min, 1 hour, 6 hours, 12 hours, 24 hours
Multi-shot mode	Up to 6 photos per detection
Info bar	Date, time, temperature (°C/°F), moon phase, SPYPOINT logo, and camera model
Capture mode	Colors by day, black and white by night

VIDEO RECORDING*

Video resolution	VGA, HD, FHD, QHD, 4K (see p.8 for more details)
Video file format	AVI
Sequence length	Adjustable from 10 to 60 seconds
Capture mode	Colors by day, black and white by night

AUDIO RECORDING

Audio mode	Yes
------------	-----

MEMORY

Internal memory	None
External memory	SD/SDHC/SDXC card up to 512 GB (32 GB SD card included)

VIEWING

Built-in screen	LCD (for configuration only)
-----------------	------------------------------

POWER SOURCES

Alkaline or lithium AA non-rechargeable batteries	8 x AA (not included)
External 12 V battery	12 V battery Optional accessories available at SPYPOINT: #KIT6V-12V, #KIT-12V, #BATT-12V)
Solar panel lithium battery	Solar panel lithium battery #SPLB-22 or #SPLB-10 (not included)

DETECTION SYSTEM

Movement detector	Infrared
Detection angle	40°
Detection range	Up to 34 meters/110 feet
Trigger speed	0.2 seconds
Delay between each detection	Adjustable from Instant to 60 minutes*

ILLUMINATION OPTIONS

LED	54 LED
Night light range	Up to 27 meters/90 feet
Exposure	Automatic adjustment of the infrared illumination

PHYSICAL DIMENSIONS

10.6 cm (W) x 19.6 cm (H) x 7.6 cm (D)	4.17" (W) x 7.7" (H) x 3.0" (D)
--	---------------------------------

RECOMMENDATIONS

Operating temperature	-30°C to 50°C (-22°F to 131°F)
Storage temperature	-40°C to 60°C (-40°F to 140°F)

*When selecting a "Video Length" over 20 seconds, only daytime videos will be affected. Nighttime videos are limited to 20 seconds to preserve battery life.

BATTERY LEVEL ICON

There will be two battery icons in the upper right hand corner of the screen while the camera is in setup mode. The battery icon on the left represents the internal battery and the battery icon on the right represents the AA power source. The camera will use the internal battery before using the AA power source. If both power sources are low (showing only a single bar) the camera will continue to take photos.



However, we strongly recommend charging the camera or replacing the AA batteries before either is drained of power. If a video is being recorded and the battery level reaches 0%, the camera saves the file before shutting down.

CHOOSING A POWER SOURCE

4 options are available to you:

- **Internal Battery:**
It will need to be charged for first use. To charge the device, use the supplied cable and plug into the 12 V port on the camera. It will take approximately 12 hours to fully charge the battery, you can check if the camera is fully charged by sliding the power switch to the "SETUP" position and look at the battery indicator on the screen. 4 bars indicates it is fully charged.
- **Alkaline or lithium AA batteries**
- **Rechargeable battery 12 V** (#KIT-12V sold separately)
- **Solar panel lithium battery 12 V** (#SPLB-22 and #SPLB-10 sold separately)

⚠ Make sure to insert the AA batteries according to their polarity (+) and (-) as shown in the battery compartment.

FOR BEST RESULTS AND NO LEAKAGE

- Use only new alkaline or lithium batteries.
- Do not mix new and old batteries.
- Do not use rechargeable AA batteries (their lower voltage can generate operational issues).

SPLB-22 OR SPLB-10: SOLAR PANEL LITHIUM BATTERY COMBO UNIT

- Combines solar panel and lithium battery into one unit to reduce wires and setup time.
- Plugs directly into camera to provide extensive, ongoing battery life for your camera so you can avoid visits.
- Additional jacks and plugs allows for device flexibility.



MANAGING VARIOUS CAMERA POWER SUPPLY

If you choose to plug an external 12 V battery (#KIT-12V, sold separately) into your camera, it becomes your camera's new primary power source. The AA batteries will only be used once the 12 V battery is depleted.

INSTALLING A MEMORY CARD

The use of a memory card is necessary for the operation of the camera. It allows you to save photos and videos. For better performance, we recommend that you insert only an SD/SDHC/SDXC card with a capacity of 512 GB or less. **Avoid using a microSD card with an SD adapter.**



Once the SD card reaches its storage limit, your camera will stop taking photos or videos. Replace it or transfer its content on another media.

When the camera is turned ON and no memory card is inserted, the screen will display the message “No card”

Here is three tables showing the approximate number of videos that can be saved, based on different memory card capacities.

PHOTOS RESOLUTIONS					
	2MP	8MP	16MP	30MP	48MP
8 GB	12 855	3 213	1 639	886	554
16 GB	25 711	6 427	3 279	1 772	1 108
32 GB	51 422	12 854	6 558	3 544	2 216
64 GB	102 844	25 708	13 116	7 088	4 432
128 GB	205 688	51 416	26 232	14 176	8 864
512 GB	822 752	205 664	104 928	56 704	35 456

CAPACITY FOR ONE-MINUTE VIDEOS					
	VGA	HD	FHD	QHD	4K
8 GB	79	23	23	23	23
16 GB	158	47	47	47	47
32 GB	316	94	94	94	94
64 GB	632	188	188	188	188
128 GB	1 264	376	376	376	376
512 GB	5 056	1 504	1 504	1 504	1 504

VIDEOS RESOLUTIONS					
VGA	HD	FHD	QHD	4K	
640 x 480	1 280 x 720	1 920 x 1080	2 560 x 1 440	3 840 x 2 160	

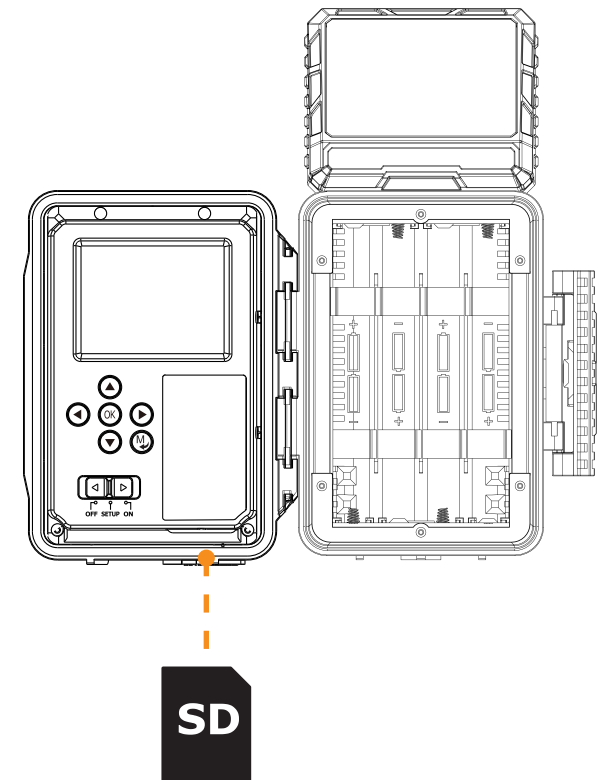
INSERTING YOUR MEMORY CARD

Before inserting the SD card into your camera, it must be formatted via a computer to ensure proper operations. Visit www.spypoint.com/en/support if you need help formatting your SD card.

- Make sure the camera is turned OFF to prevent any loss or damage to the SD card. Make sure the switch on the side of the SD card is not set on LOCK.
- Locate the SD card slot. It is on the bottom right corner of the camera (see diagram).
- Insert a standard SD memory card (upto 512 GB capacity) in the SD card slot placing the beveled corner on the upper right-hand side (see diagram)
- The card is inserted correctly when a click is heard.
- Your SD card must be formatted in the camera before use.
- Slide the power switch to the SETUP option.
- Press the MENU BUTTON.
- Use the directional buttons to navigate to the FORMAT option. Select it by pressing the OK button.
- **Warning** – All data will be deleted from the SD Card. Select YES if you are okay to lose any information currently stored on the SD card.

REMOVING YOUR MEMORY CARD

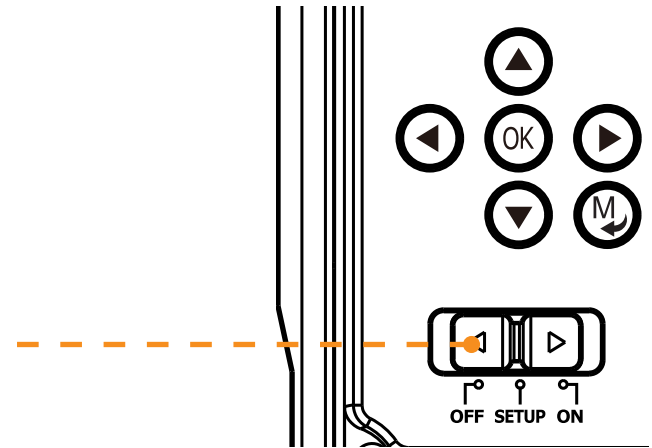
- Before removing a memory card, always turn your camera OFF to prevent files from on the card from being deleted or damaged.
- To remove the card, push it lightly into the camera until you hear a click. Then take it out of the device.



GENERAL SETTINGS SETUP

Use the ▲▼◀▶ buttons to switch to the LCD display or to change options, and press OK to select. Several setup pages will be displayed.

1. To turn the camera ON/OFF, use the ON/SETUP/OFF switch.
In the ON position, the camera turns on. In the OFF position, the camera turns off.
2. The switch must be on SETUP to make your initial changes.
3. When the switch is on SETUP, press MENU to open the menu.



MENU DESCRIPTIONS

PREVIEW	Allows you to view images and videos stored on the SD card in the camera.
SET CLOCK/DATE	Allows you to set the current date and time.
TIME	Allows you to change the format between 12H or 24H.
TEMP	Allows you to change the unit of measurement for the temperature, F or C.

MODE

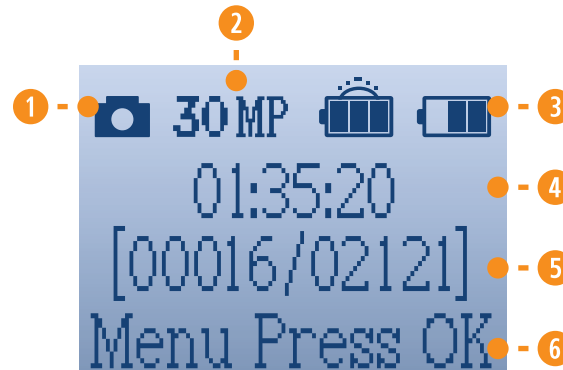
PHOTO Photo only mode – allows the camera to take photos.	Image Size: Allows you to change the MP of the photos captured.
	Capture Number: Allows you to select how many photos the camera will take at each detection. This is commonly referred to as Multishot.
VIDEO Video only mode – allows the camera to take videos.	Video Size: Allows you to select the quality level of the videos captured.
	Video Length: Allows you to select the length of video captured.
PHOTO & VIDEO The camera will take both a photo and video at each detection.	Image Size: Allows you to change the MP of the photos captured.
	Capture Number: Allows you to select how many photos the camera will take at each detection. This is commonly referred to as Multishot.
	Video Length: Allows you to select the length of video captured.

<p>TIMELAPSE The camera will capture photos on a scheduled interval.</p>	<p>TL Freq: Allows you to set the time between each photo.</p>
<p>TIMELAPSE + The camera will capture photos on a scheduled interval and when it detects motion.</p>	<p>TL Period: A / B Allows you to set 2 different active time periods for camera to capture photos/videos.</p>
<p>DELAY</p>	<p>TL Freq: Allows you to set the time between each photo.</p>
<p>SENSOR LEVEL</p>	<p>TL Period: A / B Allows you to set 2 different active time periods for camera to capture photos/videos.</p>
<p>FLASH MODES Allows you to select from 3 different flash settings</p>	<p>This setting allows you to select the time between photos or videos at a detection.</p>
<p>SET ACTIVE TIME</p>	<p>This setting allows you to change the sensitivity of the Detection system.</p>
<p>FORMAT</p>	<p>Optimal: Reduces Fuzziness at Night.</p>
<p>DEFAULT</p>	<p>Boost: provides maximum brightness.</p>
<p>IMAGE RECYCLE</p>	<p>Min Blur: Minimizes blurriness of moving objects.</p>
<p>LANGUAGE</p>	<p>This allows you to set a time window for when your camera will capture photos or videos.</p>
<p>CAMERA NAME</p>	<p>Allows you to format your SD card in the camera.</p>
<p>SOFTWARE UPDATE</p>	<p>Sets the camera back to its factory settings.</p>
<p>VERSION</p>	<p>Allows the camera to continue to capture photos once the SD card is full. It will overwrite the oldest files on the SD card.</p>
<p>INFORMATION ON THE PHOTOS (fixed, not configurable)</p>	<p>Allows you to set the language of the menu.</p> <p>Allows you to set a custom name for the device.</p> <p>Allows you to start the software update IF you have placed the firmware files on the SD card.</p> <p>Shows the current firmware version.</p> <p>Displays the date, time, temperature, moon phase, SPYPOINT logo, and camera model on each photo.</p> <p> <input type="radio"/> New moon <input type="radio"/> First quarter <input checked="" type="radio"/> Full moon <input type="radio"/> Last quarter <input type="radio"/> Waxing crescent <input checked="" type="radio"/> Waxing gibbous <input type="radio"/> Waning gibbous <input type="radio"/> Waning crescent </p>

ADJUST THE SETTINGS FOR THE 3 MODES OF OPERATION

PHOTO MODE

1. Camera icon showing the **Photo mode**.
2. The number of mega pixels selected.
3. Battery power level icon.
4. Time.
5. Number of shots available on the SD card (photos taken so far/number of shots left).
6. Press OK to access the settings.



<p>DELAY Instant; 3s; 5s; 10s; 20s; 30s 1m; 5m; 10m; 30m; 60m</p>	<p>Allows you to choose the period of time to wait before the camera detects again and records the next picture. A longer delay minimizes the number of photos taken and therefore maximizes battery life. A shorter delay maximizes surveillance in the area but consumes more power. Shorter delays are recommended when the camera is used for security purposes. Once you have selected the delay, press OK.</p>
<p>QUALITY 2 MP; 8 MP; 16 MP; 30 MP; 48 MP</p>	<p>Allows you to select a resolution of 2 MP, 8 MP, 16 MP, 30 MP or 48 MP. Once your selection is made, press OK.</p>
<p>MULTI 1; 2; 3; 4; 5; 6</p>	<p>Allows you to take up to 6 consecutive photos per detection with a delay of 1-second between each photo. Once your selection is made, press OK.</p>
<p>DETECT Low; Normal; High; Auto</p>	<p>Allows you to choose the detection sensitivity of the device. A higher sensitivity allows you to detect movement in front of the camera more effectively, so the camera will take more pictures. Once your selection is made, press OK.</p>

VIDEO MODE

1. Icon showing the **Video mode**.
2. Battery power level icon.
3. Time.
4. Approximate video time available for recording.
5. Press OK to access the settings.



<p>DELAY Instant; 3s; 5s; 10s; 20s; 30s 1m; 5m; 10m; 30m; 60m</p>	<p>Allows you to choose the period of time to wait before the camera detects again and records the next video. A longer delay minimizes the number of videos taken and therefore maximizes battery life. A shorter delay maximizes surveillance in the area but consumes more power. Shorter delays are recommended when the camera is used for security purposes. Once you have selected the delay, press OK.</p>
<p>QUALITY VGA; HD; FHD; QHD; 4K</p>	<p>Allows the user to choose between VGA, HD, FHD, QHD or 4K. Once your selection is made, press OK.</p>
<p>DURATION 10 seconds; 20 seconds; 30 seconds; 60 seconds</p>	<p>Allows the user to select the duration of the recording when the camera is in Video mode. Once your selection is made, press OK.</p>
<p>DETECT Low; Normal; High; Auto</p>	<p>Allows you to choose the detection sensitivity of the device. A higher sensitivity allows you to detect movement in front of the camera more effectively, so the camera will take more videos. Once your selection is made, press OK.</p>

TIME-LAPSE MODE

1. Camera icon showing the **Time-lapse mode**.
2. Battery power level icon.
3. Time.
4. Number of shots available on the SD card (photos taken so far/number of shots left).
5. Press OK to access the settings.



TLDELAY

5m ; 10m ; 15m ; 30m

Allows the camera to take photos at regular preset intervals. For example, if "5 minutes" is selected in the Time-lapse mode, the camera takes a photo every 5 minutes even if there is no detection.

Note: The Time-lapse mode only applies for photos, not videos. When the Time-lapse mode is selected, the Delay option and the Multi-shot mode are disabled.

CAMERA SOFTWARE UPDATES

Go to www.spypoint.com/en/support for instructions on how to perform camera software updates.

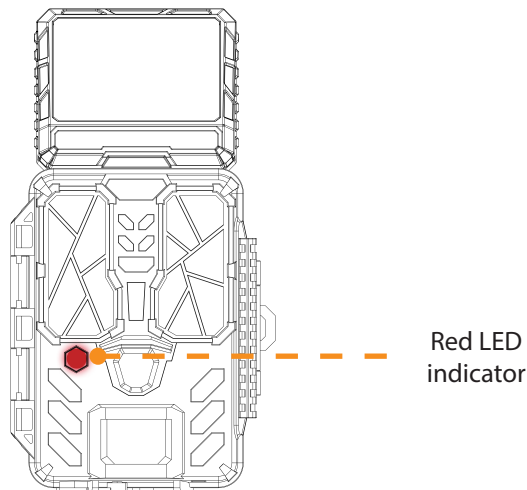
OPERATION

Once the setup is complete, turn the button from SETUP to ON. You may also switch from SETUP to OFF and turn the device ON later.

RED LED INDICATOR

In SETUP mode: The light flashes when motion is detected. It also allows the user to verify that the targeted detection distance is adequate during installation.

In ON mode: The light flashes for 30 seconds to allow the user to leave the area, after the installation, without being photographed. When the light turns off, the camera is ready for use.



INSTALLING YOUR CAMERA

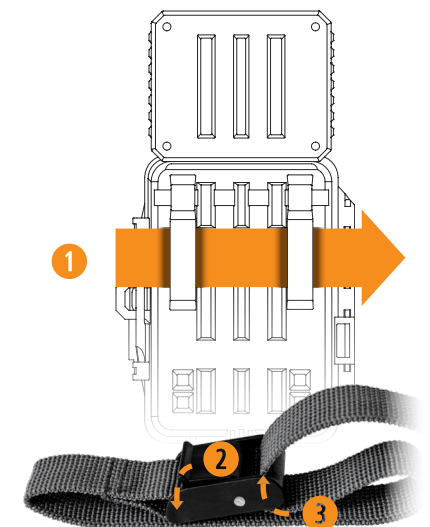
1. To install the camera, loop the installation strap through the intended slot (see diagram).
2. Choose a solid tree that does not move in the wind, as movement will cause false detections.
3. Make sure the area immediately in front of your camera is free of branches or twigs that could be blown away by the wind.
4. The camera should be at the same height of the animal's mid-body.
5. The targeted animal should be at 25 feet (7.5 meters) away from the camera.
6. To produce brighter photos at night, there should be items reflecting the camera's flash in the background.



INSTALLATION WITH THE SUPPLIED STRAP

The dimensions of the included strap are 2.5 cm (1") X 152 cm (60").

1. Thread the strap through the slot for the installation strap found at the back of the camera.
2. Press and hold down the latch.
3. Thread the strap through the latch from behind, as shown below.



TRANSFERRING FILES TO A COMPUTER

- Turn the camera OFF.
- Remove the SD card from the camera.
- Insert the SD card in the SD computer slot, or use a USB adapter for SD cards.
- If the computer doesn't detect the SD card, this means the memory card is corrupt and needs to be replaced.

ON A PC

On your desktop, click on **"My Computer"** or **"This PC"**.

Locate your device under **"Removable Disk"** and click to access it. Then, click on **"DCIM"** and **"100DSCIM"** to find all saved photos and videos. If you do not see the photos or videos in the folder you checked, try again in the other **"Removable Disk"** folder.

Select the files you want to copy. With some Windows versions, the simplest way is to select them by clicking on the **"Home"** tab and choosing **"Select all"** on the right side. With some Windows versions, you can press on **"Ctrl"** and **"A"** or click on the **"Edit"** menu and choose **"Select all"**.

Click on the **"Copy"** icon on the left of the ribbon (or hold the **"Ctrl"** and **"C"** keys).

Once your photos and videos are transferred, click the **"Safely remove hardware and eject media"** button located in the task bar, then click **"Eject mass media storage device"**.

If you do not want to select all photos or videos, hold down the **"Ctrl"** key and click on the files you want to select before clicking on the **"Copy"** icon.

Access the folder where you want to save your photos and videos or create a new folder by clicking on the **"New folder"** button. (You can also click on **"Ctrl"**, **"Shift"**, and **"N"** to create a new folder, or right-click in a blank space in the **"Pictures"** folder and choose **"New"**, then, in the following menu, click on **"Folder"**.)

Enter a name for your new folder, click on **"Enter"**, then double-click on the folder to open it. In the **"Home"** tab, choose **"Paste"** (or click simultaneously on the **"Ctrl"** and **"V"** keys). The photos and videos will be copied in the new folder.

ON A MAC

Click on the search tool in the **"Toolbar"**. Click the **"Go"** Tab, then select **"Computer"**.

Locate your device under the **"Locations"** tab and click to access it. Then click on **"DCIM"** and **"100DSCIM"** to find all saved photos and videos.

Click on **"Edit"** in the toolbar at the top of the screen, then click on **"Select all"** to highlight all individual files on the device. You can also access the **"Select all"** option by simultaneously clicking **"Cmd"** and **"A"**. If you don't want to import everything, you can highlight the desired photos or videos individually. Transfer photos and videos by clicking on **"Cmd"** and on the file name. Click on **"Edit again"** and then **"Copy"** (or **"Cmd"** and **"C"**) to copy the highlighted files.

Access the folder where you want to save your photos and videos, or create a new folder by right-clicking and pressing **"Cmd"** at the same time, then select **"New folder"** from the menu.

Click on **"Modify"**, then on **"Copy"** (or **"Cmd"** and **"V"**) to copy your chosen files in the selected folder. The photos and videos can take a few minutes to download, depending on the size and the number of the file you are importing.

Once your photos and videos are transferred, click on the **"Eject"** icon beside the name of your device, then unplug the device from your MAC.

OFFERED ACCESSORIES



LITHIUM BATTERY SOLAR PANEL

Compatible with all SPYPOINT devices with a 12 V socket. DC power adapter, mounting bracket and installation strap.

#SPLB-22



COMPACT LITHIUM BATTERY SOLAR PANEL

Compatible with all SPYPOINT devices with a 12 V socket. DC power adapter, mounting bracket and installation strap.

#SPLB-10



12 V BATTERY, CHARGER & HOUSING KIT

Compatible with all SPYPOINT devices with a 12 V socket. Case, AC charger, 12 ft (3.6 meters) power cable (#PW-12FT) and strap included.

#KIT-12V



STEEL SECURITY BOX FOR 48 LEDS AND UP CAMERAS

Fits all 48 LEDs and up SPYPOINT cameras.

#SB-400



ADJUSTABLE MOUNTING ARM

Fits any camera with a standard 1/4"-20 screw-in tripod mount.

#MA-50012 V



POWER CABLE

12 feet (3.6 meters) cable with alligator clips to connect to a 12 V camera battery.

#CB-12FT



CABLE LOCK

6 feet (4.57 meters) cable lock compatible with all cameras and security boxes from SPYPOINT.

#CLM-6FT



32 GB SD CARD

32 GB SDHC UHS-1 memory card. 10-year warranty. Ultra high speed class 10.

#SD-32GB

For more information about other available accessories, go to www.spypoint.com.

PROBLEMS	POSSIBLE SOLUTIONS
IMPOSSIBLE TO TURN THE CAMERA ON	<ol style="list-style-type: none"> 1. Check if the chosen power source is fully charged. 2. If using AA, ensure they are correctly installed. 3. Replace AA batteries. 4. Install the latest update (available on www.spypoint.com under the SUPPORT section). 5. Charge the internal battery.
THE CAMERA'S SCREEN SHUTS OFF	<p>Turn OFF the camera and turn it ON again.</p>
THE CAMERA IS NO LONGER RESPONDING	<ol style="list-style-type: none"> 1. Turn OFF the camera and turn it ON again. 2. If using AA, remove them and reinsert them.
THE CAMERA DOESN'T TAKE PICTURES/VIDEOS	<ol style="list-style-type: none"> 1. Make sure the camera is turned ON. 2. Check if there are batteries in the camera. 3. Replace the batteries. 4. If it is not already done, remove the protective sticker on the detection lens of your camera. 5. Format the SD card. Do not choose the "Quick format" option. 6. If none of the previous solutions works, reset the camera and the settings.
BLURRY PHOTOS	<p>Low-lighting conditions and fast-moving subjects may produce streaks on the photo; try setting the "Night mode" to "Min blur".</p>
THE RED LIGHT IN FRONT OF THE CAMERA FLASHES	<ol style="list-style-type: none"> 1. During the installation, the delay light flashes for 30 seconds to allow the user to walk away without being photographed. 2. The camera is in TEST mode and detects movement.

PROBLEMS	POSSIBLE SOLUTIONS
NO ONE OR NO ANIMALS ON PHOTOS/VIDEOS	<ol style="list-style-type: none">1. Make sure the camera is not pointing the sunrise or sunset, which could cause false detections.2. At night, the motion detector can detect beyond the range of the infrared LEDs. Reduce camera sensitivity.3. Small animals may trigger the camera. Reduce the sensitivity and/or increase the height of the camera.4. The motion detector can detect animals through the foliage.5. Verify if the tree against which the camera is installed is stable and does not move.6. Make sure the area immediately in front of your camera is free of branches or twigs the wind could move. This would result in false detections.
THE CAMERA TAKES DARK PHOTOS/VIDEOS AT NIGHT	<ol style="list-style-type: none">1. Verify the charge level of the batteries, as the night lighting may be malfunctioning if the charge level is low.2. Make sure the subject is within range of the night lighting (approximately 80 feet).3. To get better photos at night, try setting the "Night mode" to "Boost" to increase the strength of the infrared LEDs.4. Make sure there are elements in the background for the light of the infrared LEDs to reflect on.5. Test the night lighting in a dark room to see if you are able to get good quality photos in black and white.
THE CAMERA TAKES BLACK PHOTOS/VIDEOS	<ol style="list-style-type: none">1. Check the battery level to see if battery power is full as the flash will stop operating near the end of the battery life, especially if you're recording a video.2. Make sure there are elements in the background for the light of the infrared LEDs to reflect on.3. Test the night lighting in a dark room to see if you are able to get good quality photos in black and white.

MESSAGES DISPLAYED ON THE SCREEN	DESCRIPTIONS / SOLUTIONS
NO CARD	<p>A memory card is required to save videos and photos. Make sure the camera is turned OFF, then insert the SD memory card and turn the camera back ON.</p>
CARD ERROR	<p>The camera cannot access the memory card:</p> <ol style="list-style-type: none"> 1. Turn OFF the camera and turn it back ON again. 2. Remove the memory card and reinsert it. 3. Check if the gold contacts are clean. 4. Make sure the switch on the side of the card is not in LOCK position. 5. Format the memory card (so that you don't delete your files, copy them externally before formatting the card). 6. Replace your SD card.
BATTERY LOW	<p>Appears on the screen just before the camera turns OFF :</p> <ol style="list-style-type: none"> 1. Replace the batteries with new ones. 2. Plug the device into a 12 V power source. 3. Charge internal battery.
FORMATTING IN PROGRESS	<p>Wait until the formatting process is completed.</p>
FORMATTING COMPLETED	<p>No further action is required.</p>

MESSAGES DISPLAYED ON THE SCREEN	DESCRIPTIONS / SOLUTIONS
FORMATTING ERROR	<ol style="list-style-type: none">1. Try reformatting your SD card.2. Replace your SD card.
MEMORY FULL	Activate Recycle option.
BUSY	Camera is busy. Please wait.
UPDATE	A camera update is in progress. Please wait.
NO UPDATE FILES	<p>You're trying to complete a camera update without the required files on your SD card for such an update:</p> <p>Make sure to upload these files prior to launching an update.</p>

LIMITED WARRANTY

This SPYPOINT product is covered by a 2-year warranty that also covers parts and workmanship from the purchase date. The electronic cash register receipt is a proof of purchase and must be presented to confirm that the warranty is applicable. This warranty will be honored in the country of the original purchase only.

THIS SPYPOINT WARRANTY DOESN'T APPLY TO:

- Consumable parts, including but not limited to batteries, the performance of which are known to decrease over time.
- Damages caused by improper use of the device, use of the device with another product, negligence, accidents, contact with liquid, fires, earthquakes, or any other type of external causes.
- SPYPOINT products bought online from an unauthorized retailer.
- Products that were modified or altered.
- Aesthetic damages, including but not limited to scratches or plastic breakage.
- Damages caused by the usage of a product outside of the SPYPOINT recommendations.

FCC STATEMENT

Changes or modifications not expressly approved by the party responsible for compliance could void the user's authority to operate the equipment.

This equipment has been tested and found to comply with the limits for a Class B digital device, pursuant to Part 15 of the FCC Rules. These limits are designed to provide reasonable protection against harmful interference in a residential installation. This equipment generates uses and can radiate radio frequency energy and, if not installed and used in accordance with the instructions, may cause harmful interference to radio communications. However, there is no guarantee that interference will not occur in a particular installation. If this equipment does cause harmful interference to radio or television reception, which can be determined by turning the equipment off and on, the user is encouraged to try to correct the interference by one or more of the following measures:

- Reorient or relocate the receiving antenna.
- Increase the separation between the equipment and receiver.
- Connect the equipment into an outlet on a circuit different from that to which the receiver is connected.
- Consult the dealer or an experienced radio/TV technician for help.

This device complies with part 15 of the FCC rules.
Operation is subject to the following two conditions:

1. This device may not cause harmful interference.
2. This device must accept any interference received, including interference that may cause undesired operation.



DISPOSAL

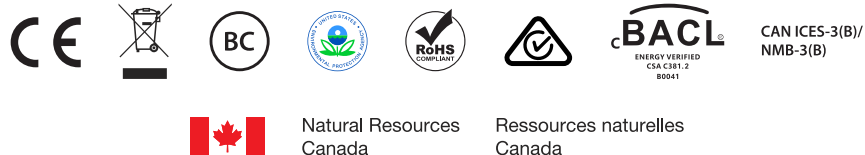
ONLY USE ORIGINAL SPARE PARTS AND ACCESSORIES.

If, one day, your camera has been used so intensively that it has to be replaced, or if you no longer have any use for it, you are obliged to dispose of it at a recycling center.

Information on return points for your electrical appliance can be obtained from your local waste disposal company or from your local administrative offices.

Electrical appliances not only contain valuable recyclable raw materials, but also substances which, if disposed of improperly, can affect public health and the environment. Help ensure that valuable raw materials are recycled by returning your old appliance to a central collection point.

The WEEE (Waste Electrical and Electronic Equipment Directive) symbol represents the obligation for the labeled camera to be sent to a separate center for the proper recycling of electrical and electronic equipment.



SPYPOINT FORCE-PRO-S 2.0 | Made in China

12 V DC • 8 X R6 (AA) batteries (2 X 6 V)

Manufacturer: SPYPOINT

Address: 330 de la Jacques-Cartier, Victoriaville QC G6T 1Y3 • Canada

E-mail: info@spypoint.com

Importer Information: SPYPOINT

Company Name: SPYPOINT

Address: 330 de la Jacques-Cartier, Victoriaville QC G6T 1Y3 • Canada

Distribution Center 3000 Gannett Avenue, Des Moines IA 50321 • USA

EUROHUNT GmbH Harzblick 25, 99768 Harztor OT Ilfeld • Germany