

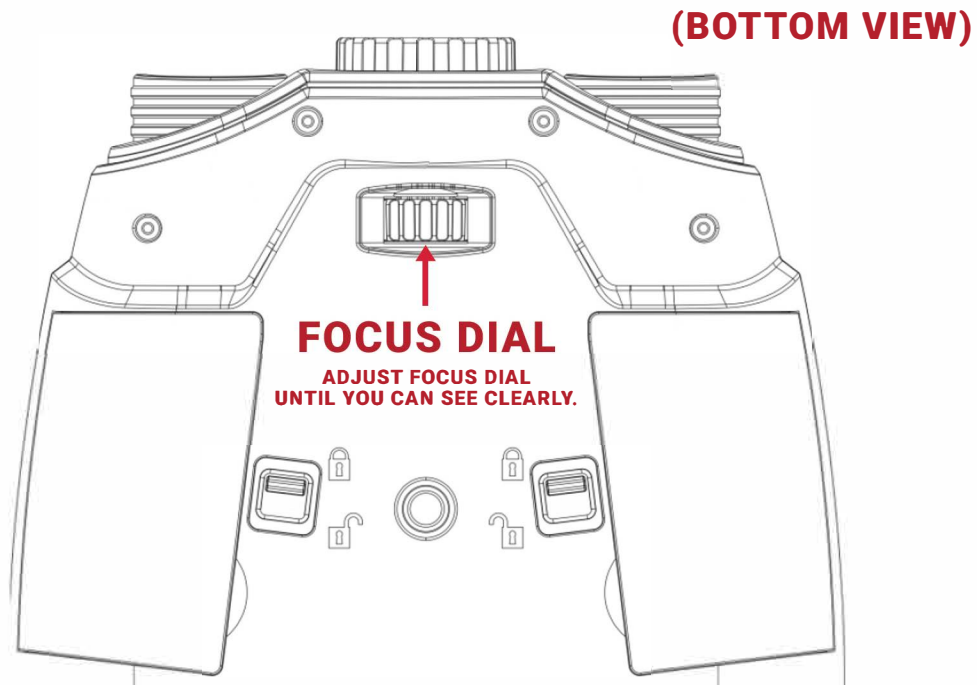


# SHADOW 22

NIGHT VISION BINOCULAR  
XANB22

## QUICK START GUIDE

- Insert AA Alkaline batteries.
- Press and hold the power button to turn binocular on/off.
- Bring the screen into focus using the focus dial.
- Zoom in with the focus dial as necessary.
- This may require many turns depending on range.
- For night vision press the IR button.



# HELPFUL HINTS

- **Night vision does not work through glass. The glass will reflect the IR light signal.**
- **To see in the dark, make sure to press and release the IR button.**
- **There are multiple IR levels (press repeatedly to adjust).**
- **The higher the IR setting, the further you will see in the dark.**
- **ALWAYS make sure to turn off your binocular when not in use.**
- **You can adjust auto shut off under the mode settings (reference manual).**

(TOP VIEW)

