



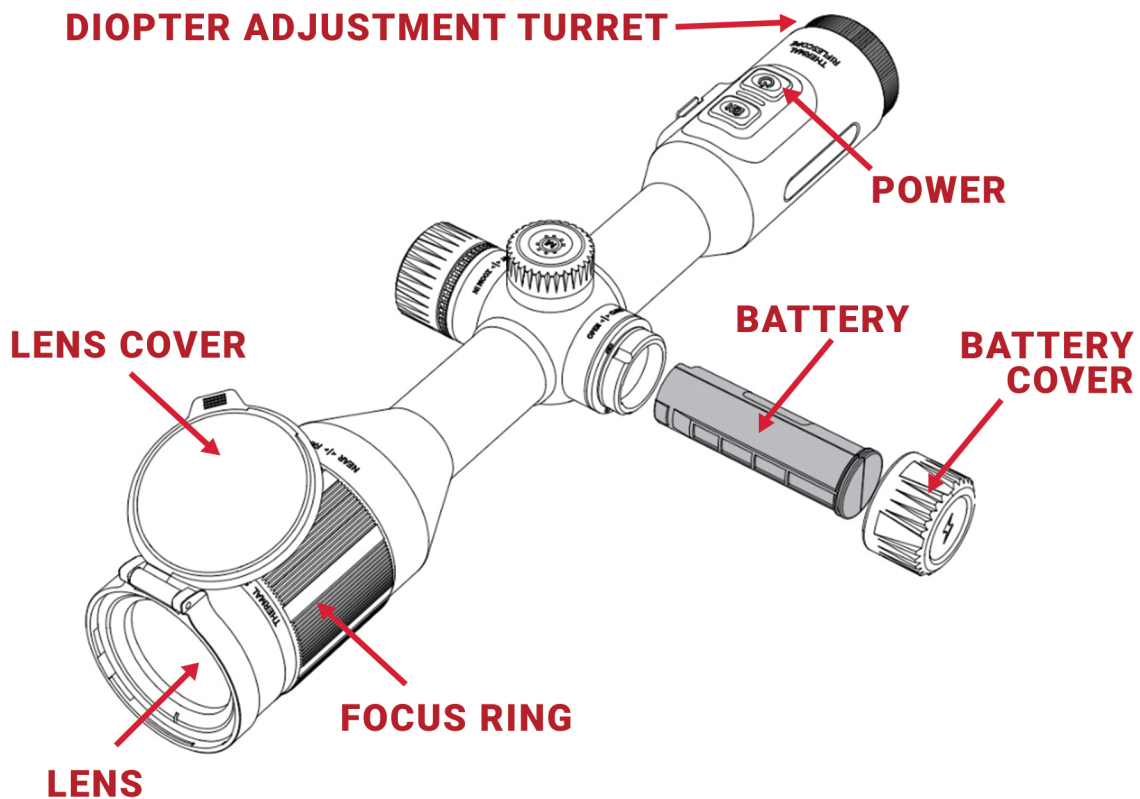
IMPACT SERIES

THERMAL SCOPES

TS300 & TS200

QUICK START GUIDE

- **Insert battery (included).**
- **Press and hold power button to turn on the unit.**
- **Turn the Diopter Adjustment Turret to bring screen into focus.**
- **Turn the primary focus ring left or right to bring target into focus.**
- **Use Menu turret to adjust pallet and navigate menu options.**



HELPFUL HINTS

- Thermal does not work through glass (will show only reflection).
- Turn scope off when not in use to conserve battery power, make sure battery is fully charged before use.
- Make sure scope is fully powered off prior to removing battery.
- Remove objective lens cover when thermal scope is in use.

Download the App

- If you want to download your images and video from the scope, download TargetIR.
- APP: TargetIR
- Passcode: **12345678**
- Multiple devices can connect simultaneously to one device (scope).

